



GTB22B

Engine Powered Telescopic Boom Lift

ROUGH TERRAIN PERFORMANCE - Oscillating axle and 4-wheel drive improves rough terrain capabilities and drive performance.

BETTER MANOEUVRABILITY - Optimum manoeuvrability with 4-wheel steering.

MORE COMFORT - Automatic platform levelling provides operator comfort.

EXTRA EFFICIENCY - Standard Jibs offer extra working ability for hard to reach areas.

UP2IT **ACCESS
HIRE**
www.up2it.co.nz

90 Cryers Road, East Tamaki, Auckland 2163

FREEPHONE: 0800 830 530 **PHONE:** (09) 274 5944

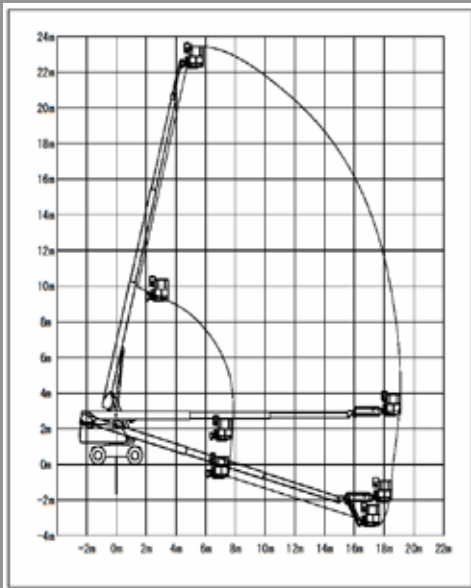
ON CALL: 0272 830 535 **FAX:** (09) 274 5662

EMAIL: sales@up2it.co.nz

GTB22B

Engine Powered Telescopic Boom Lift

MEASUREMENT		PRODUCTIVITY	
Overall length(stowed)	10.02M (33ft)	Platform height max.	22.2M (73ft)
Overall width(stowed)	2.49M (8ft)	Working height max.	24.2M (79ft)
Overall height(stowed)	2.8M (9ft)	Horizontal reach max.	18.8M (62ft)
Ground clearance	0.45M (1.5ft)	Turntable rotation	360° continuous
Wheelbase	2.49M (8.2ft)	Platform rotation	160°
Overall weight	11606kg (4WD)	Platform Load capacity	250kg
Platform Size (L*W*H)	1.83*0.76*1.1M (6ft *2.5ft *3.6ft)	Grade ability	45% (4WD)
Platform levelling	Automatic	Turning radius (outside)	4.97M (16.3ft)
Tire specification	9.00-20	Turning radius (inside)	1.66M (5.5ft)
Tire type	Solid	Turntable tailswing	1.32M (4.3ft)
		Max. Driving Speed	6.3km/h
POWER			
Hydraulic tank vol.	170L	Driving Speed (stowed)	0~6.3km/h
Hydraulic system vol. (inc. the tank)	270L	Driving Speed (extended)	0~1.1km/h
Fuel tank vol.	155L	Max allowable wind force	12.5m/s
Control voltage	12V	Max allowable slope	3°
Engine	Cummins B3.3 60hp	Max noise	82dB(A) on normal use
Drive & steer model	4WD	Max allowable side force	400N



OPTIONAL CONFIGURATION

Working Light
4WD
Platform AC power
Hydraulic generator
Side door platform

GTB22B

UP2IT ACCESS HIRE
www.up2it.co.nz

90 Cryers Road, East Tamaki, Auckland 2163

FREEPHONE: 0800 830 530 PHONE: (09) 274 5944

ON CALL: 0272 830 535 FAX: (09) 274 5662

EMAIL: sales@up2it.co.nz